

CARAT 305 compact

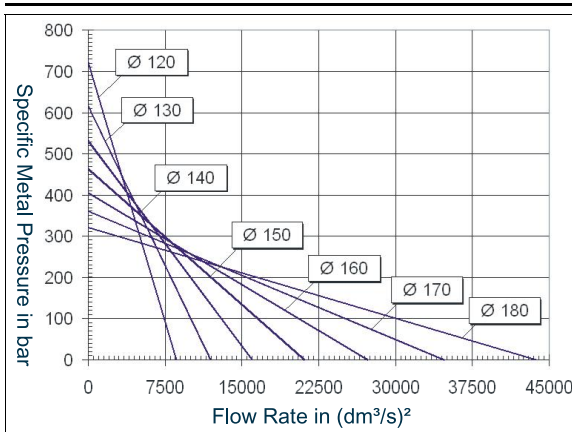
Injection Unit

Injection Force dynamic	kN	814
Injection Force Intensified	kN	2076
Plunger Stroke	mm	1300
Maximum plunger Velocity	m/s	8.22
Injection Height	mm	0/-560

Closing Unit

Maximum Locking Force	kN	30500
Ejector Force	kN	680
Ejector Stroke	mm	280
Die Height	mm	880 - 1800
Die opening Stroke	mm	1550
Smallest permissible Die Dimensions	mm	1300 x 1300
Maximum permissible Surface Pressure	N/mm ²	100

p/Q² Diagram



Production Data

Plunger Diameter	mm	120	130	140	150	160	170	180
Maximum Casting Volume	cm ³	9797	11497	13334	15307	17416	19662	22043
Maximum Casting Weight Al	kg	24.5	28.74	33.33	38.26	43.54	49.2	55.1
Maximum Metal Pressure	bar	1837	1564	1349	1175	1033	915	816
Maximum Projected Area	cm ²	1525	1789	2075	2382	2710	3060	3430

Casting Weight = $\frac{2}{3}$ x Plunger Stroke x Plunger Surface x Density (Al: 2,5 kg/dm³)

Hydraulic System

Installed Load	kW	140
Maximum System Pressure	bar	210
Filling Quantity	dm ³	3800
Water Cooling	m ³ /h	4

Central Lubrication

Installed Load	kW	0.1
Filling Quantity	dm ³	10

Nitrogen/Piston Accumulator

Maximum idle Pressure	bar	160
Filling Quantity	dm ³	520

Nitrogen/Intensifier

Maximum idle Pressure	bar	140
Filling Quantity	dm ³	70

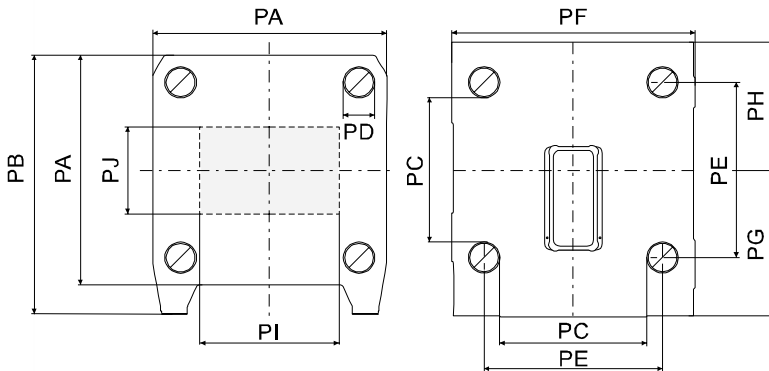
Simultaneous hydraulic unit

Usable volume	dm ³	72
Available accumulator pressure	bar max	200



CARAT 305 compact

Platen

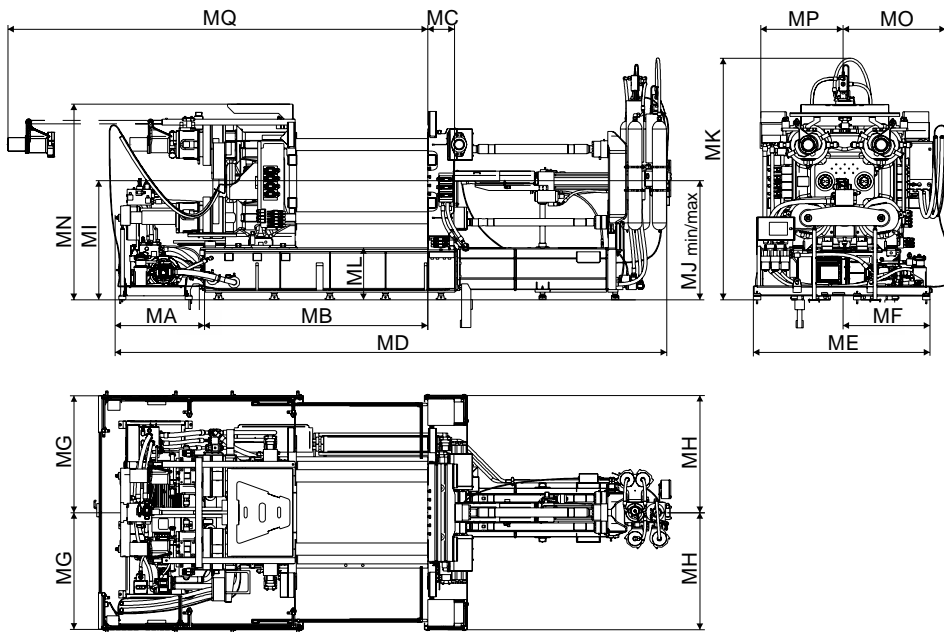


■ Ejector Plate

PA	2480
PB	2993
PC	1550
PD	310
PE	1860
PF	2480
PG	1698
PH	1295
PI	1430
PJ	1100
mm	

Dimension/Weight

Weight of machine ready for production = 158000 kg



MA	1725
MB	6005
MC	640
MD	13498
ME	3191
MF	1260
MG	2470
MH	2470
MI	2526
MJmin	1966
MJmax	2526
MK	4872
ML	882
MN	4386
MO	2139
MP	1910
MQ	10603
mm	

Control

Installed Load at 400V / 50 Hz = 140 kW

P) Option 670

