



Separator.
MTRC.

Efficient grain cleaning. High product quality.



Separator MTRC – efficient sorting and classifying machine.

Versatile applications.

The separator MTRC from Bühler is primarily used in wheat, durum, corn, rye, soy, oat, buckwheat, spelt, sorghum, and rice mills to clean grains, or in silos for precleaning of grains. The machine is also used in feed mills, seed processors, oilseed cleaners, and cacao bean sorting systems. The separator MTRC separates grains by sorting out coarse and fine foreign matter. It also classifies a wide variety of products by size.

Efficient grain cleaning at high throughput.

- The separator MTRC uses a separation system consisting of sieves to separate grain from coarse and fine foreign matter. With the MTRC, high throughputs of up to 24 tons/hour can be achieved in cleaning, and 100 tons/hour when precleaning in silos.
- An optional aspiration channel or air circulation can be placed after the unit to remove lightweight materials like dust, chaff, or husks, optimizing the cleaning effect.

Minimum maintenance.

- Using simple, rapidly interchangeable sieves, easily replaceable wear parts, and eliminating lubrication points keeps the maintenance overhead to a minimum.
- Throughout the process a cleaning procedure using rubber balls continuously ensures effective sieve cleaning. Maintenance overhead is reduced while throughput is increased.

Low wear thanks to robust construction.

The robust design significantly reduces wear.

Flexible applications.

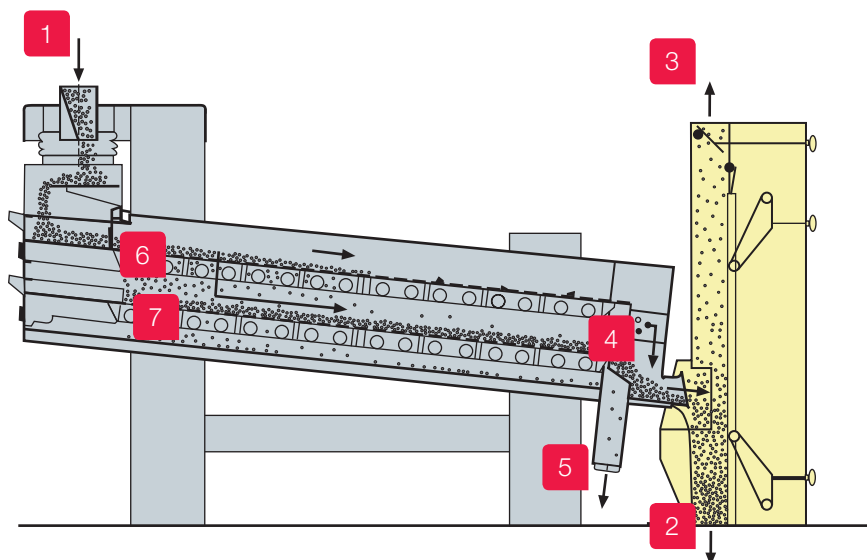
The separator MTRC can be combined with a variety of aspiration systems, making it very flexible in application.

Advantages at a glance:

- Optimum separation resolution
- Versatile
- Minimum maintenance
- Easy to operate
- Robust construction
- Adjustable lift and throwing angles

Versatile applications. Aspiration combinations.

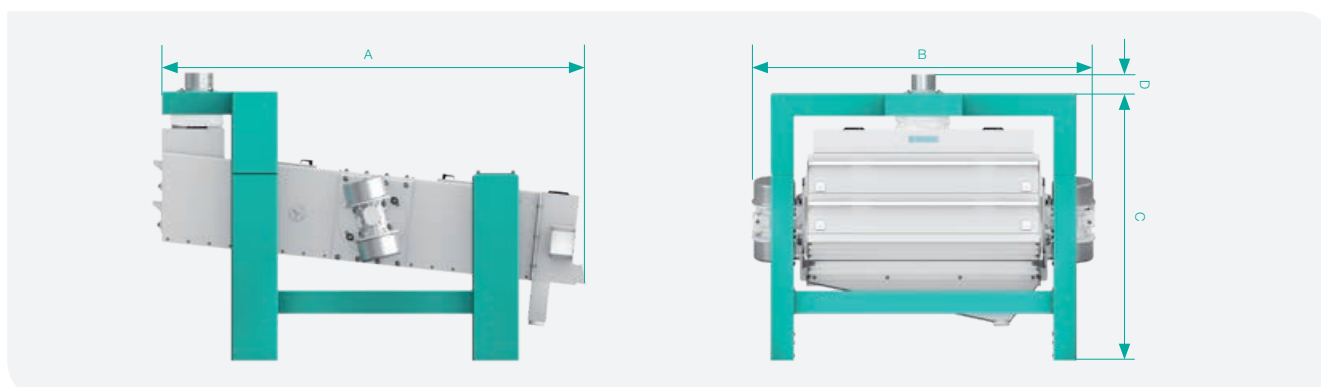
- 1 Product feed
- 2 Product discharge
- 3 Aspiration connection
- 4 Side discharge for coarse foreign material (large grains, cords, straw, etc.)
- 5 Discharge for fine waste (broken grains, sand, etc.)
- 6 Coarse sieve
- 7 Sand sieve



Technical data of the separator MTRC at a glance:

Model	Power t/h Cleaning	Silo	Dimensions mm				Weight (approx.) kg net
			A	B	C	D	
MTRC-100/200	16	–	2745	1610	1730	70	1030
MTRC-100/200 S	–	66	2625	1610	1930	110	1030
MTRC-150/200	24	–	2745	2180	1730	70	1340
MTRC-150/200 S	–	100	2625	2180	1930	110	1340

* Performance data based on wheat and rye with normal amounts of foreign matter (2 to 3%)
 Performance for corn 90%
 Performance for barley 80%



Bühler AG

CH-9240 Uzwil
Switzerland

T + 41 71 955 11 11
F + 41 71 955 66 11

buhlergroup.com/milling

Flyer Separator MTRC en 01/18 ZACC